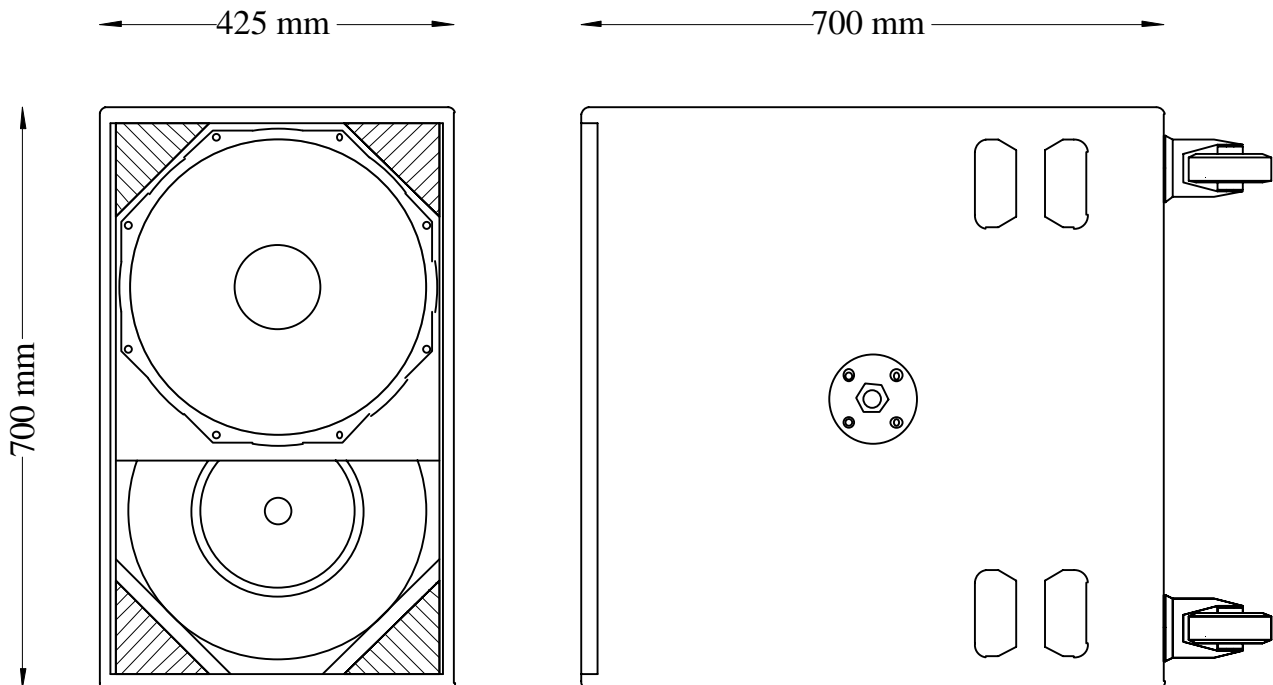


X 300 – Technical Specifications (rev: 4 22/03/04)

- Description:**
- A high power, compact, bass enclosure in active and passive versions
 - Passive version incorporates a 150Hz low pass filter and 70Hz high pass output
 - For optimum bass performance use with XB6 controller
- Frequency Response:**
- 40Hz – 250Hz
- Components:**
- Bass: 2 x 15" cone driver
- Power handling:**
- 1000w
- Sensitivity (1):**
- 101dB
- Directivity:**
- Omni-directional
- Construction:**
- 18 mm birch plywood
- Finish:**
- Water based textured black paint
- Connections:**
- 2 x Neutrik NL4 connectors (Main plate)
 - 1 x Neutrik NL4 connector (Bi-amp plate)
 - Main plate: 1+/1- Input 2+/2- Linked
 - Bi-amp plate (active:) 1+/1- linked to 2+/2- main plate 2+/2- No connection
 - Bi-amp plate (passive:) 1+/1- 70Hz high pass output 2+/2- No connection
- Dimensions:**
- 700mm (W) x 425mm (H) x 700mm (D)
- Packaged Dimensions:**
- 715mm (W) x 450mm (H) x 715mm(D)
- Impedance:**
- 4 ohms
- Weight:**
- 60 Kg
- Note:** (1) Sensitivity measured at 1 metre with 2.83V, using band limited pink noise.



X 300 Options

Cabinet	Code	Spec.	Handles	Tophat	M20 plate	M20 Blank	Castors	Bracket	Inserts/Fly Points
X 300P	LS 6073	T-Spec	4 off	No	Yes x 2 Off	No	Yes	No	No
X300A	LS 6076	T-Spec	4 off	No	Yes x 2 Off	No	Yes	No	No