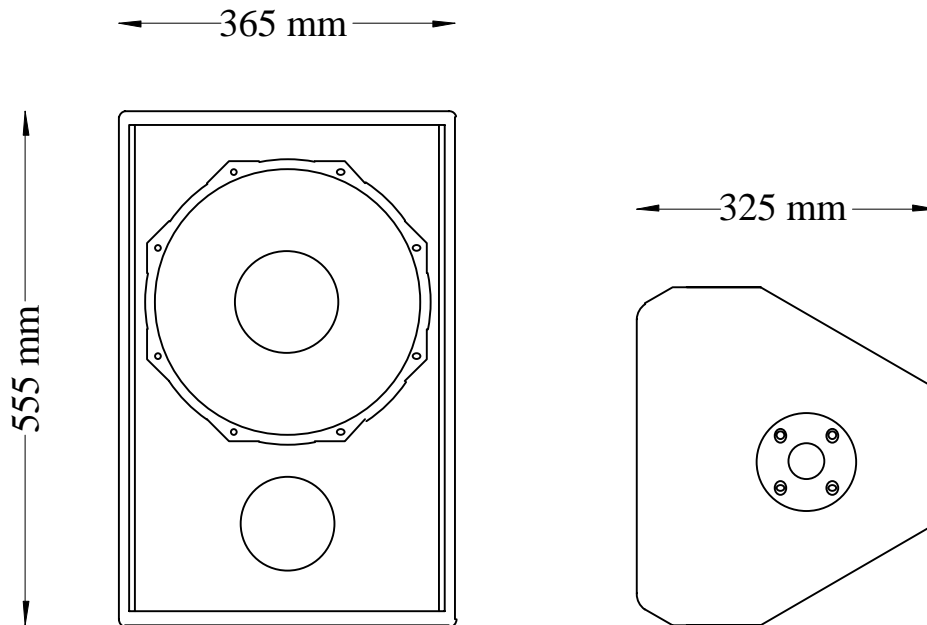


X 12 – Technical Specifications (rev1 08/07/02)

Description:	• A compact, passive, full range sound reinforcement enclosure.
Frequency Response:	• 60Hz – 18kHz
Components:	• Bass/mid: 12" cone driver • HF: 1" exit compression driver, coaxially mounted
Power handling:	• 400w
Sensitivity (1):	• 98dB
Directivity:	• 60° conical above 1kHz
Construction:	• 15mm Birch plywood
Finish:	• Water based textured black paint.
Connections:	• 2 x Neutrik NL4 connectors • 1+/1- Input 2+/2- No connection
Dimensions:	• 365mm (W) x 555mm (H) x 325mm (D)
Packaged Dimensions:	• 380mm (W) x 580mm (H) x 340mm (D)
Impedance:	• 8 ohms nominal
Weight:	• 24 Kg

Note: (1) Sensitivity measured at 1 metre with 2.83V, using band limited pink noise.



X 12 Options

Cabinet	Code	Spec.	Handles	Tophat	M20 plate	M20 blank	Castors	Bracket	Inserts/Fly Points
X12	LS4067	M-Spec	2 off	Yes	No	No	No	No	No