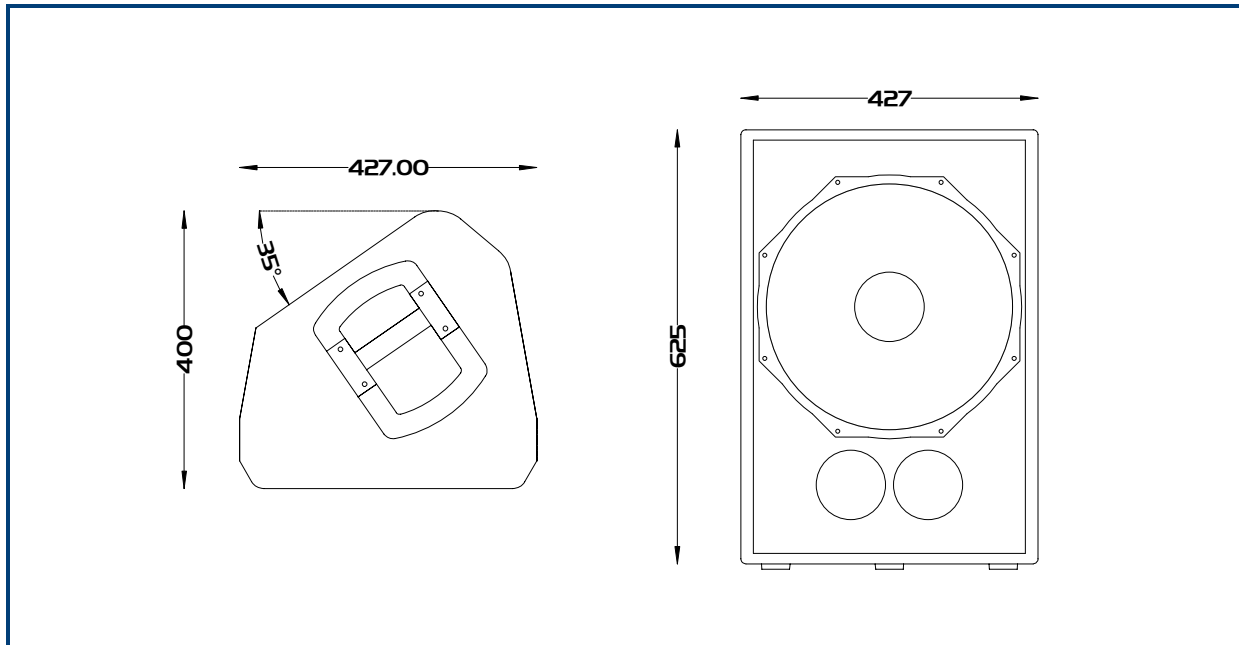




The Origin Series from Logic Systems is a range of state of the art Pro Audio products designed to fulfill the needs of the professional working musician. The Origin 15A cabinet combines a 15” Neodymium Mid/Bass cone with a coaxially mounted 1.4” compression driver, which is actively driven by an on board dual channel, Class D power module. On board DSP allows the selection of four operation modes which includes full range, full range with sub bass, bi-amp with sub bass and Wedge mode. The coaxial layout has many acoustic advantages, which include crystal clear vocal projection, a must in its target application, while neodymium driver technology helps to minimise the cabinet’s weight. The Origin SB118 is the suggested sub bass companion for the Origin 15A. Discover ‘The difference is in the detail’, Origin from Logic Systems.



Frequency Response:	<ul style="list-style-type: none"> • 55Hz – 18kHz
Components:	<ul style="list-style-type: none"> • Bass/mid: 15” neodymium cone driver • HF: 1.4” exit compression driver, coaxially mounted
Power handling:	<ul style="list-style-type: none"> • Mid/Bass: 600w HF: 80w
Sensitivity (1):	<ul style="list-style-type: none"> • 99dB
Directivity:	<ul style="list-style-type: none"> • 60° conical above 1kHz
Impedance:	<ul style="list-style-type: none"> • 8 Ohms nominal
Construction:	<ul style="list-style-type: none"> • 15mm Birch plywood
Finish:	<ul style="list-style-type: none"> • Water based textured black paint
Connections:	<ul style="list-style-type: none"> • 1 x IEC mains input. • XLR male/female balanced audio input/output.
Dimensions:	<ul style="list-style-type: none"> • 427mm (W) x 625mm (H) x 400mm (D)
Packaged Dimensions:	<ul style="list-style-type: none"> • 580mm (W) x 790mm (H) x 530mm (D)
Weight (Packaged):	<ul style="list-style-type: none"> • 23.5Kg (29Kg)

Cabinet	Handles	Tophat	M20 plate	Castors	Bracket Pt.	Inserts/Fly Points
O15A	2 off	Yes	No	No	No	No

Note: (1) Sensitivity measured at 1 metre with 2.83V, using band limited pink noise

E: sales@logicsystems.co.uk T: +44(0)1427 611791 w: www.logicsystems.co.uk