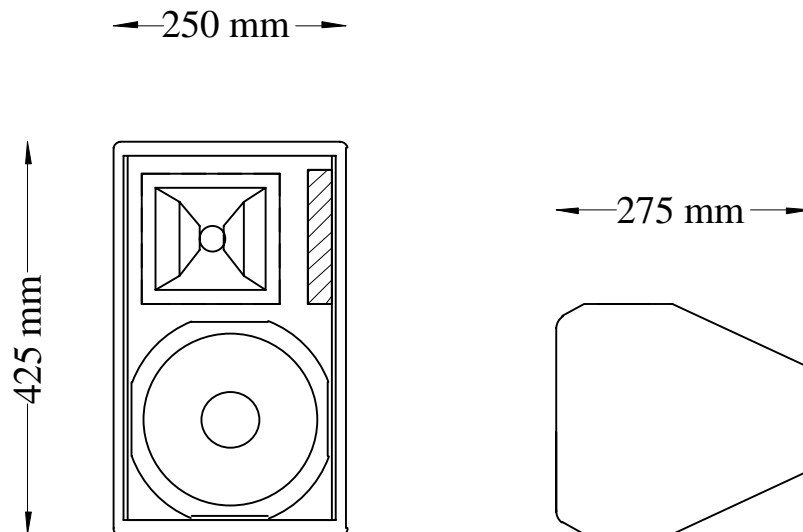


IS 8 – Technical Specifications (rev4 17/07/03)

Description:	• A compact, full range, foreground enclosure.
Frequency Response:	• 60Hz – 18kHz
Components:	• Bass/mid: 8" cone driver • HF: 1" Compression driver
Power handling:	• 150w
Sensitivity (1):	• 96dB
Directivity:	• 90° x 60° above 2kHz
Construction:	• 15mm Birch plywood
Finish:	• Water based textured black paint
Connections:	• 1 x Neutrik NL4MPR • 1+/1- input 2+/2- no connection
Dimensions:	• 250mm (W) x 425mm (H) x 275mm (D)
Packaged Dimensions:	• 265mm (W) x 440mm (H) x 290mm (D)
Impedance:	• 8 ohm nominal
Weight:	• 12Kg
Fittings:	• 4 x M6 inserts for Omnimount 75, top, back, and side • 6 x M8 insert points

Note: (1) Sensitivity measured at 1 metre with 2.83V, using band limited pink noise.



IS 8 Options

Cabinet	Code	Spec.	Handles	Tophat	M20 plate	M20 Blank	Castors	Bracket	Inserts/Fly Points
IS 8	LS 4078	M-Spec	No	No	No	No	No	Yes	6 off M8 inserts