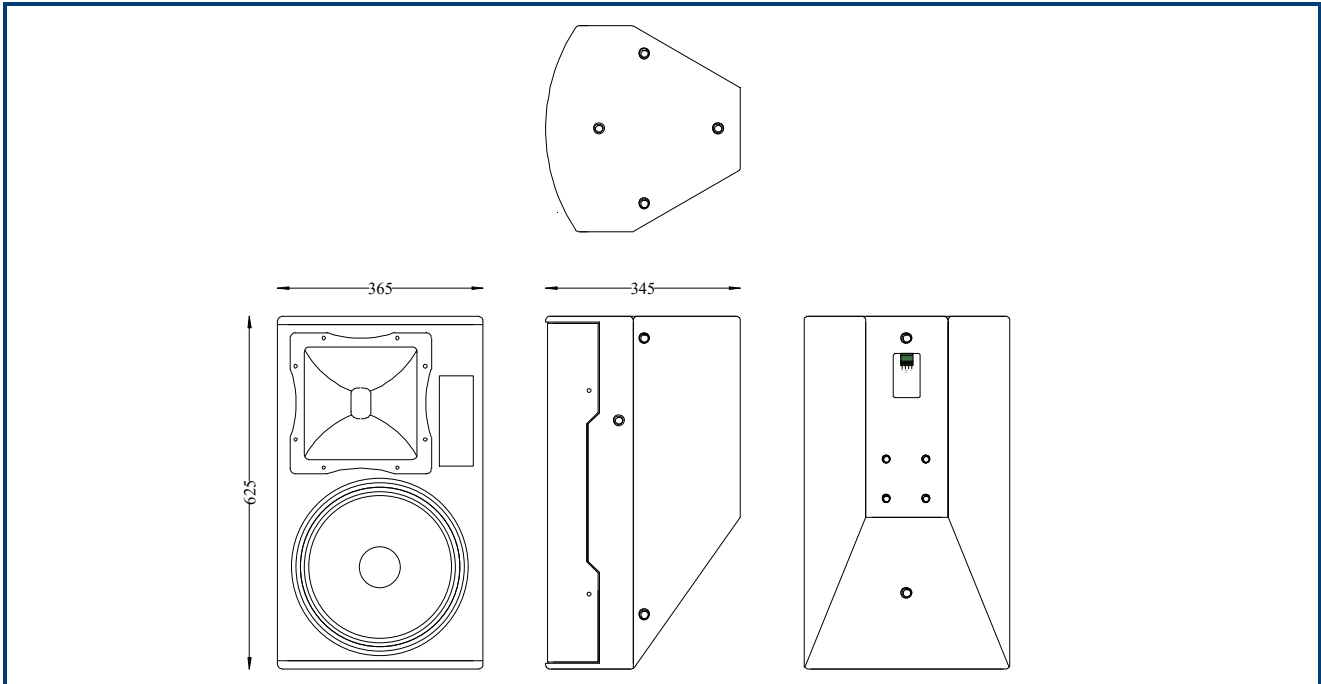




The Logic Systems Ci12 cabinet combines a 12" Mid/Bass cone with 1" compression driver on a 90 x 75 horn flare. The cabinet is part of the Ci series which is aimed specifically at the Bar and Club installation market. The Ci Series are available with a range of bracket options to aid installation and can also be ordered in special colours to fit the needs of the designers. Standard colours are black and white. The Ci Series aims to bring both an audio and build quality that is not common at this price point. To this end all Ci Series cabinets are constructed from birch ply and are rebated, glued and screwed.



Frequency Response:	<ul style="list-style-type: none"> • 60Hz - 20kHz
Components:	<ul style="list-style-type: none"> • Bass/mid:12" cone driver • HF: 1" exit compression driver
Power handling:	<ul style="list-style-type: none"> • 350w
Sensitivity (1):	<ul style="list-style-type: none"> • 97dB
Directivity:	<ul style="list-style-type: none"> • 90° x 75° above 2kHz
Impedance:	<ul style="list-style-type: none"> • 8 Ohms nominal
Construction:	<ul style="list-style-type: none"> • 15mm Birch plywood
Finish:	<ul style="list-style-type: none"> • Water based textured black paint
Connections:	<ul style="list-style-type: none"> • Phoenix screw terminal connector (supplied)
Dimensions:	<ul style="list-style-type: none"> • 365mm (W) x 625mm (H) x 345mm (D)
Packaged Dimensions:	<ul style="list-style-type: none"> • 510mm (W) x 780mm (H) x 465mm (D)
Weight:	<ul style="list-style-type: none"> • 22Kg

Cabinet	Handles	Tophat	M20	Castors	Bracket Pt.	Inserts/Fly Points
Ci12	No	No	No	No	Back	9 off M10 inserts

Note: (1) Sensitivity measured at 1 metre with 2.83V, using band limited pink noise.

E: sales@logicsystems.co.uk T: +44(0)1427 611791 w: www.logicsystems.co.uk