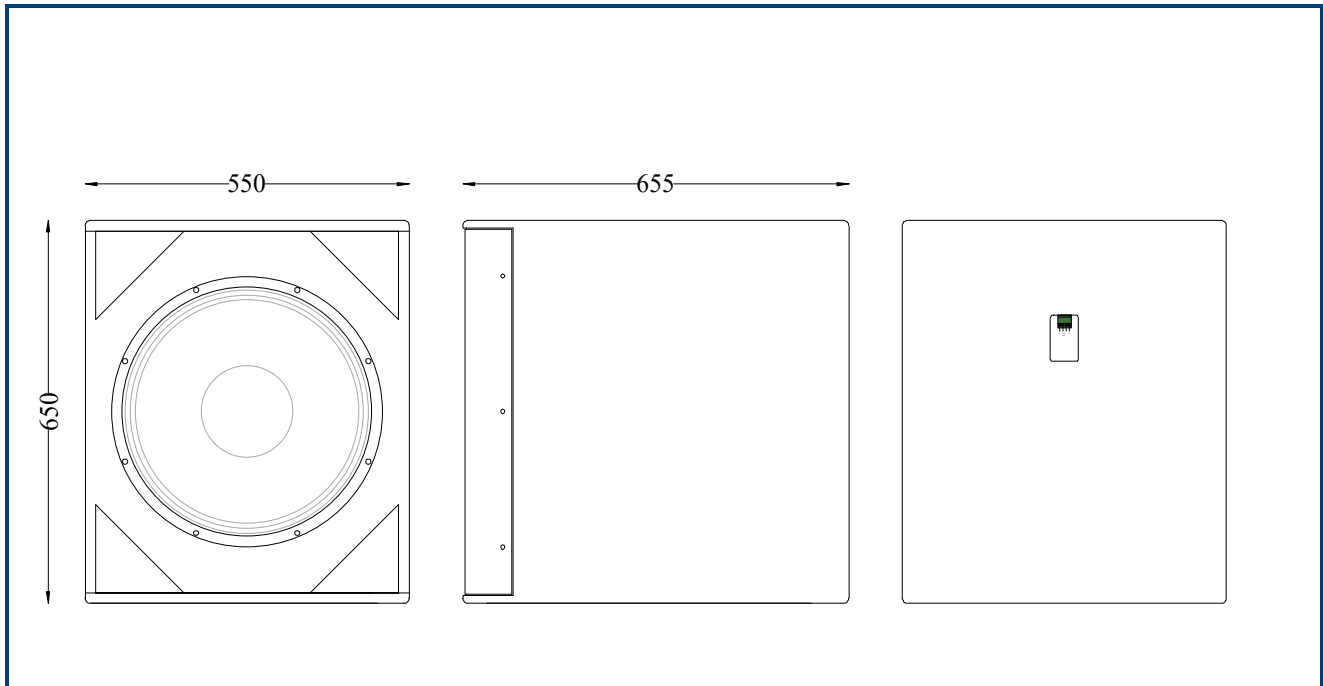


The Logic Systems Ci118 is a compact, high power, sub bass enclosure which features a direct radiating 18" sub bass driver. The Ci118 is installation specific. Corner porting also ensures uniformity of performance when mounted in either the landscape or portrait modes. The Logic Systems DP4180 system controller contains presets for the combination of the Ci118 with other Logic Systems product



Frequency Response:	<ul style="list-style-type: none"> • 40Hz - 150Hz
Components:	<ul style="list-style-type: none"> • Bass: 1 x 18" cone driver • HF: N/A
Power handling:	<ul style="list-style-type: none"> • 1000w
Sensitivity (1):	<ul style="list-style-type: none"> • 98dB
Directivity:	<ul style="list-style-type: none"> • Omni-directional
Impedance:	<ul style="list-style-type: none"> • 8 Ohm
Construction:	<ul style="list-style-type: none"> • 18mm Birch plywood
Finish:	<ul style="list-style-type: none"> • Water based textured black paint
Connections:	<ul style="list-style-type: none"> • Phoenix screwterminal connector (supplied)
Dimensions:	<ul style="list-style-type: none"> • 550mm (W) x 650mm (H) x 655mm (D)
Packaged Dimensions:	<ul style="list-style-type: none"> • 690mm (W) x 790mm (H) x 795mm(D)
Weight:	<ul style="list-style-type: none"> • 48g

Cabinet	Handles	Tophat	M20	Castors	Bracket Pt.	Inserts/Fly Points
Ci118	No	No	No	No	No	No

Note: (1) Sensitivity measured at 1 metre with 2.83V, using band limited pink noise.