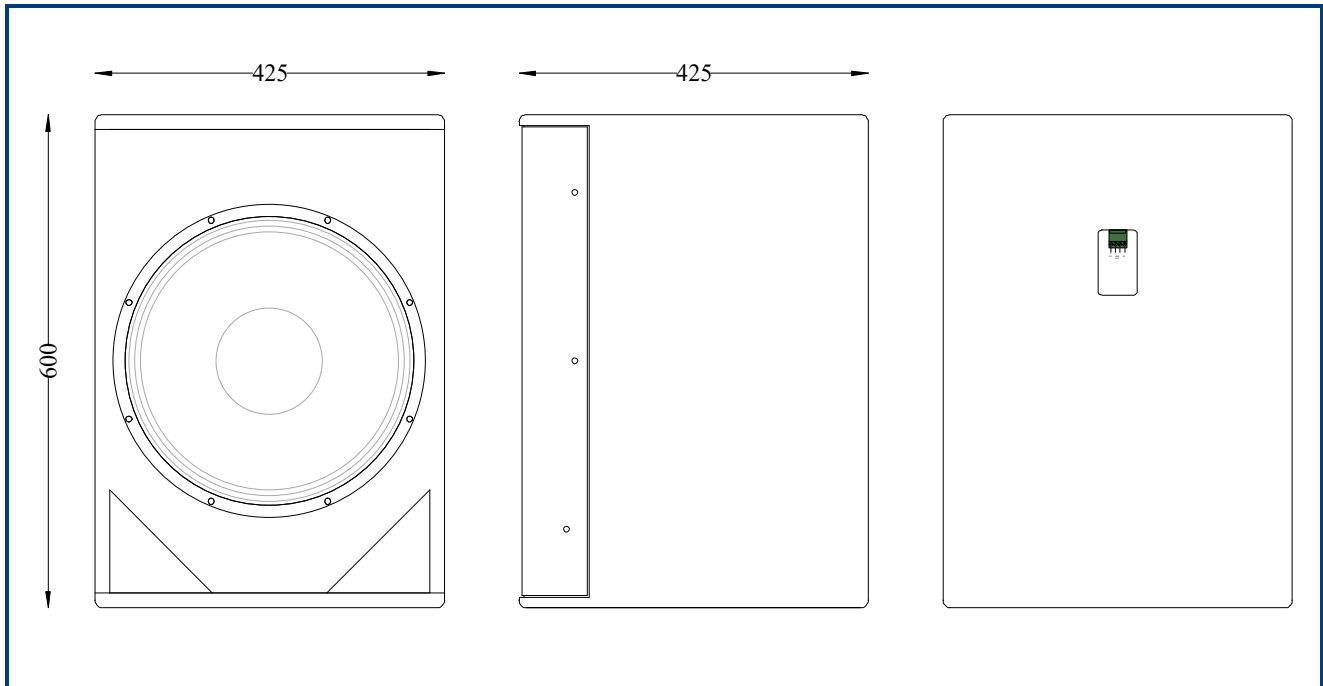


The Logic Systems Ci115 is a compact, high power, bass enclosure which features a direct radiating 15" bass driver. The Ci115 is installation specific. Corner porting also ensures uniformity of performance when mounted in either the landscape or portrait modes. The Logic Systems DP4180 system controller contains presets for the combination of the Ci115 with other Logic Systems product.



Frequency Response:	• 40Hz - 150Hz
Components:	• Bass: 1 x 15" cone driver • HF: N/A
Power handling:	• 600w
Sensitivity (1):	• 98dB
Directivity:	• Omni-directional
Impedance:	• 8 Ohm
Construction:	• 18mm Birch plywood
Finish:	• Water based textured black paint
Connections:	• Phoenix screw terminal connector (supplied)
Dimensions:	• 425mm (W) x 600mm (H) x 425mm (D)
Packaged Dimensions:	• 580mm (W) x 740mm (H) x 565mm(D)
Weight:	• 25Kg

Cabinet	Handles	Tophat	M20	Castors	Bracket Pt.	Inserts/Fly Points
Ci115	No	No	No	No	No	No

Note: (1) Sensitivity measured at 1 metre with 2.83V, using band limited pink noise.