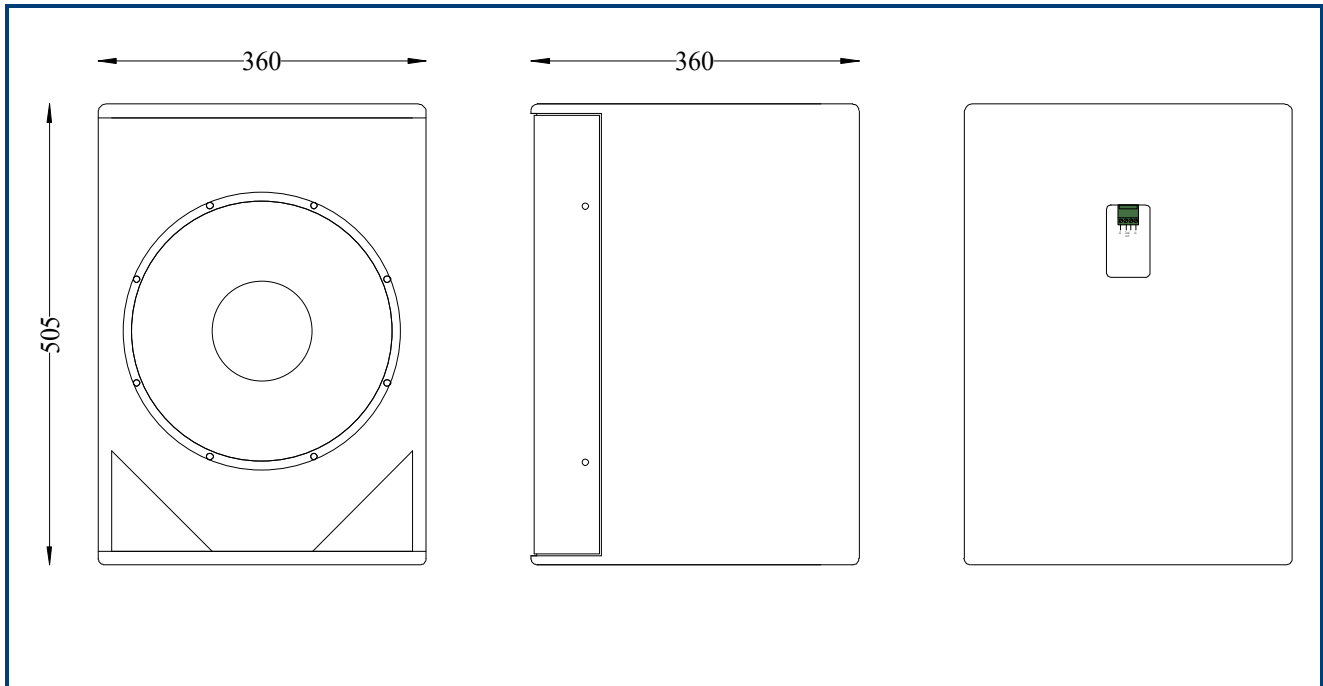




The Logic Systems Ci112 is a compact, high power, bass enclosure which features a direct radiating 12" bass driver. The Ci112 is installation specific. Corner porting also ensures uniformity of performance when mounted in either the landscape or portrait modes. The Logic Systems DP4180 system controller contains presets for the combination of the Ci112 with other Logic Systems product.



Frequency Response:	<ul style="list-style-type: none"> • 50Hz - 150Hz
Components:	<ul style="list-style-type: none"> • Bass: 1 x 12" cone driver • HF: N/A
Power handling:	<ul style="list-style-type: none"> • 500w
Sensitivity (1):	<ul style="list-style-type: none"> • 95dB
Directivity:	<ul style="list-style-type: none"> • Omni-directional
Impedance:	<ul style="list-style-type: none"> • 8 Ohm
Construction:	<ul style="list-style-type: none"> • 15mm Birch plywood
Finish:	<ul style="list-style-type: none"> • Water based textured black paint
Connections:	<ul style="list-style-type: none"> • Phoenix screw terminal connector (supplied)
Dimensions:	<ul style="list-style-type: none"> • 360mm (W) x 505mm (H) x 360mm (D)
Packaged Dimensions:	<ul style="list-style-type: none"> • 500mm (W) x 645mm (H) x 500mm(D)
Weight:	<ul style="list-style-type: none"> • 22Kg

Cabinet	Handles	Tophat	M20	Castors	Bracket Pt.	Inserts/Fly Points
Ci112	No	No	No	No	No	No

Note: (1) Sensitivity measured at 1 metre with 2.83V, using band limited pink noise.